

## Low Pressure Gauge

### Applications

For measurement of low pressure and vacuum. Used on natural gas and dry air applications. Example: low pressure pneumatic systems, gas burners, etc.

### Standard Features

#### Sizes

2.5"(63mm) – Other sizes are available

#### Accuracy

3-2-3% of full scale ANSI/ASME Grade B

#### Case material

Steel black painted

#### Window

Acrylic

#### Wetted Parts

Cu-alloy

#### Operating Temperature

Ambient: -20 to 60°C (-4°F to 140°F)

#### Process fluid

max 60°C (140°F)

#### Dial

Aluminium with black & red markings on with background

#### Pointer

Black aluminium

#### Connection

1/4"NPT or BSP, lower & back mount

#### Ranges

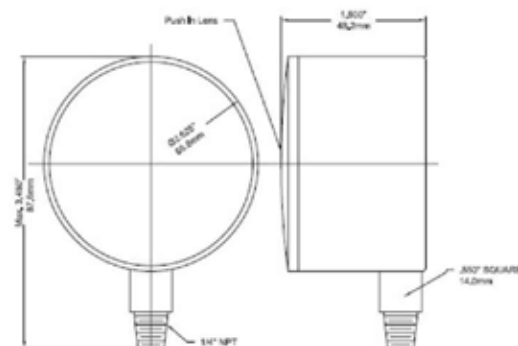
0...10"H<sub>2</sub>O to 0...240"H<sub>2</sub>O (0...25mbar to 0...600mbar) or equivalent other units of pressure or vacuum

#### Working pressure

75% of full scale

#### Protection Degree

IP55



## Standard Pressure Transmitter

### Introduction

The Standard Pressure Transmitter Tuckson is a general purpose pressure transmitter well-suited to measure compatible gases and liquids.

### Applications

Hydraulic, irrigation equipments, HVAC, compressors, pumping systems, refrigeration, or OEM applications where performance, reliability and competitive cost are needed.

### Features

- +/- 0.5% full scale accuracy
- St/St case
- St/St, ceramic and viton wetted parts
- Resists shock and vibration
- IP65
- CE approved

### Specifications

**Ranges:** 0-2Bar...0-600Bar (0-30psi...0-9000psi)

**Accuracy:**  $\pm 0.5\%$ , 1%FS (includes linearity, repeatability, hysteresis)

**Case:** stainless steel

**Wetted parts:** Process connection: stainless steel, sensor: ceramic, seal: viton

**Output:** 4-20mA / 0-5VDC or 0-10VDC

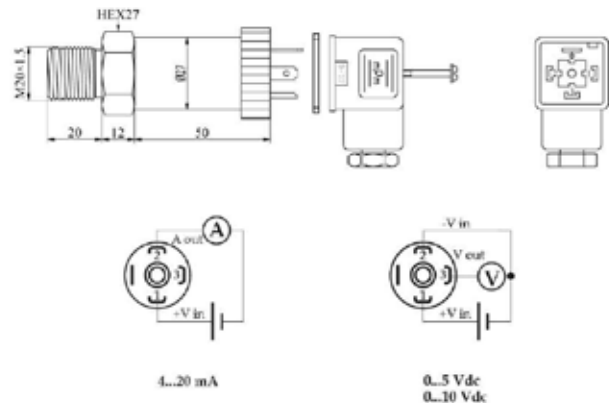
**Power supply:** 10-30VDC

**Output mode:** Two-wires / Three-wires

**Proof pressure :** 1.5 times of full scale

**Electrical connection:** DIN (other connections are available)

**Enclosure rating:** IP65



**Insulation:**  $\geq 10M\Omega@50V$

**Response time:** <10msec

**Vibration:** 10g/5...2000Hz X/Y/Z axis

**Shock:** 20g 11ms

**Process connection:** 1/4"NPT male (other connections are available)

**Long term stability:** +/-0.4% FS/Year

**Operating temperature:** -40 to 100°C

**Storage temperature:** -50 to 125°C

**Compensated temperature:** -10 to 80°C

**Weight:** 150g

**Certification:** CE

**Wiring protection:** protected against reverse polarity

## OEM Pressure Transmitter

### Introduction

The OEM Pressure Transmitter Tuckson is a low cost general purpose pressure transmitter well-suited to measure compatible gases and liquids.

### Applications

Hydraulic, irrigation equipments, HVAC, compressors, pumping systems, refrigeration, or OEM applications where performance, reliability and low cost are needed.

### Features

- +/- 0.5%, 1% full scale accuracy
- St/St case
- St/St, ceramic and viton wetted parts
- Resists shock and vibration
- IP67
- CE approved

### Specifications

**Ranges:** 0-2Bar...0-500Bar (0-30psi...0-7500psi)

**Accuracy:** ± 0.5%, 1%FS (includes linearity, repeatability, hysteresis)

**Case:** stainless steel

**Wetted parts:** Process connection: stainless steel, sensor: ceramic, seal: viton

**Output:** 4-20mA

**Power supply:** 10-30VDC

**Output mode:** Three-wires (included)

**Proof pressure :** 1.5 times of full scale

**Electrical connection:** Packard

**Enclosure rating:** IP67

**Insulation:** ≥10MΩ@50V

**Response time:** <10msec

**Vibration:** 10g/5...2000Hz X/Y/Z axis

**Shock:** 20g 11ms

**Process connection:** 1/4"NPT male (other connections are available)

**Long term stability:** +/-0.4% FS/Year

**Operating temperature:** -40 to 100°C

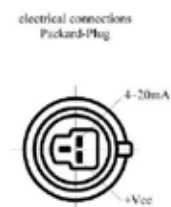
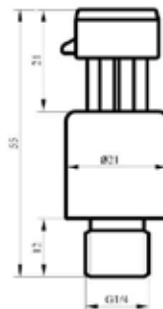
**Storage temperature:** -50 to 125°C

**Compensated temperature:** -10 to 80°C

**Weight:** 100g

**Certification:** CE

**Wiring protection:** protected against reverse polarity



## Low Cost Pressure Transmitter

### Introduction

The Low Cost Pressure Transmitter Tuckson is a low cost general purpose pressure transmitter well-suited to measure compatible gases and liquids.

### Applications

Hydraulic, irrigation equipments, HVAC, compressors, pumping systems, refrigeration, or OEM applications where performance, reliability and low cost are needed.

### Features

- +/- 0.5%, 1% full scale accuracy
- St/St case
- St/St, ceramic and viton wetted parts
- Resists shock and vibration
- IP65
- CE approved

### Specifications

**Ranges:** 0-2Bar...0-500Bar (0-30psi...0-7500psi)

**Accuracy:** ± 0.5%, 1%FS (includes linearity, repeatability, hysteresis)

**Case:** stainless steel

**Wetted parts:** Process connection: stainless steel, sensor: ceramic, seal: viton

**Output:** 4-20mA

**Power supply:** 10-30VDC

**Output mode:** Two-wires

**Proof pressure :** 1.5 times of full scale

**Electrical connection:** Mini DIN

**Enclosure rating:** IP65

**Insulation:** ≥10MΩ@50V

**Response time:** <10msec

**Vibration:** 10g/5...2000Hz X/Y/Z axis

**Shock:** 20g 11ms

**Process connection:** 1/4"NPT male (other connections are available)

**Long term stability:** +/-0.4% FS/Year

**Operating temperature:** -40 to 100°C

**Storage temperature:** -50 to 125°C

**Compensated temperature:** -10 to 80°C

**Weight:** 90g

**Certification:** CE

**Wiring protection:** protected against reverse polarity

